

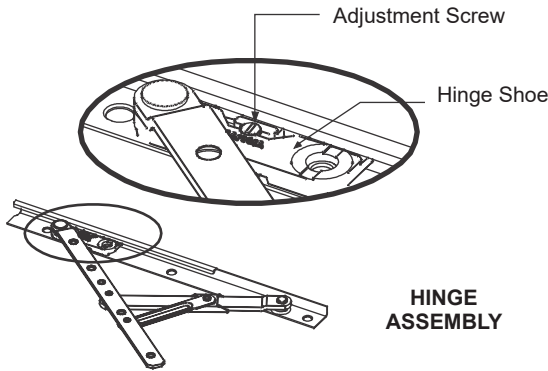


Push-Out Casement Instructions

LINCOLN WOOD PRODUCTS, INC.

Hinge Friction Adjustment

This window features adjustable friction hinges that allow the home owner to set the amount of friction needed to open and close the window. To adjust the tension, first locate the "hinge shoe" on the bottom and top window hinges. On each shoe, there is an adjustment screw. Turning the screw clock wise will increase tension and counter clockwise will lessen tension. Set top and bottom screws with similar amounts of tension.

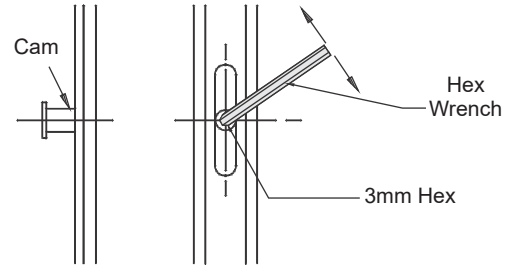


Operate the window to make sure you are happy with the applied tension settings.

Multi-Point Cam Adjustment

To adjust the cam on the multi-point lock system, insert a 3mm hex wrench into the end of the lock cam. Rotating the wrench up or down will rotate the cam about 3/32" in or out.

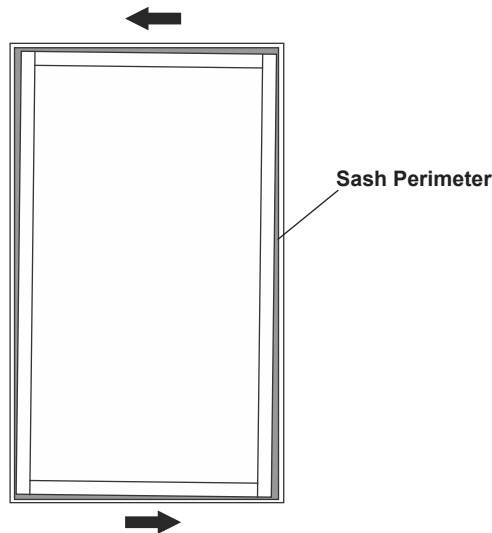
Single Cam of the Multi-Point Lock System



This adjustment can help if the sash is away from the stops or if the lock is difficult to operate.

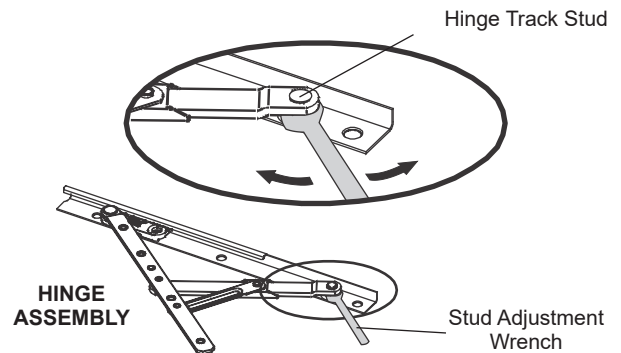
Hinge Track Stud Adjustment

After installation, the reveal around the sash perimeter should be equal in order to enable the window to perform and lock properly. If adjustment is required, the top and bottom hinges allow for corrections to be made in the field.

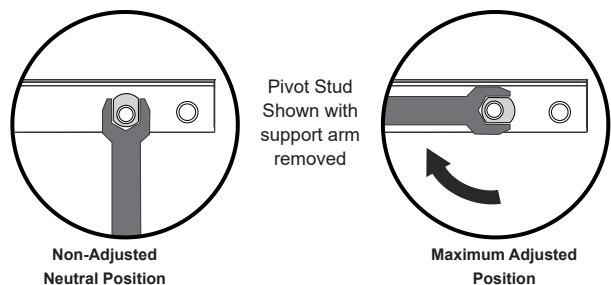


To adjust, first open the sash to allow access to the hinge assembly. The adjustments can be made to both the head and sill hinge assembly without detaching the hinge arm from the hinge track stud.

Place the supplied 3/8" flat wrench under the pivot arm on the assembly as shown. Rotate the stud left or right, depending on the direction that you need the sash to go.



Maximum adjustment left or right is 5/64" or when the stud flats (see images) are parallel to the track. Both the top and bottom hinge assemblies may need adjustment to correct the reveal issue.





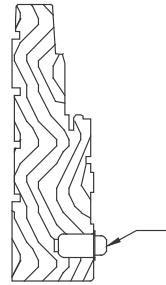
Push-Out Casement Instructions

LINCOLN WOOD PRODUCTS, INC.

Applying Weatherstrip To The Wood Swing Screen

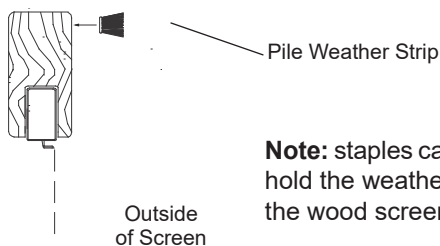
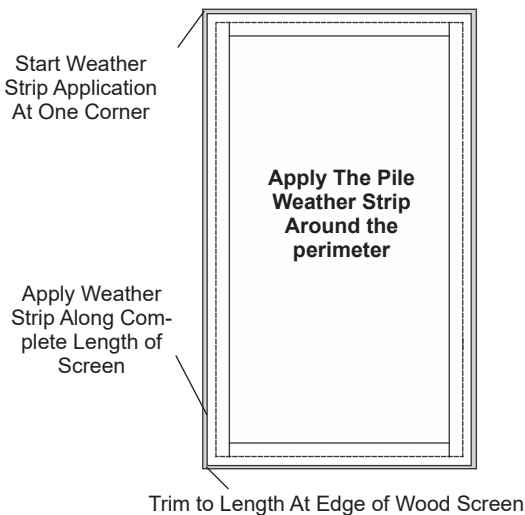
After the wood hinged screen has been painted or stained, the pile weather strip will need to be applied. The weatherstrip is self adhesive and will stick to the wood screen.

To begin application, pull the release backer from one end and place the pile at one end of the screen. Pull the backer and attach the weatherstrip along one edge. When one edge is applied, cut to length with a utility knife so the weatherstrip is the same length as the wood. Proceed with the remaining 3 sides of the screen frame. The weatherstrip must be pressed firmly onto the wood screen using a rubber faced roller.



Wood Screen Catch Adjustment

To adjust the catch for the wood screen insert a small wire or allen wrench into the small hole and rotate the plunger to increase or decrease the tension on the screen.



Note: staples can be used to help hold the weatherstrip in place on the wood screen.